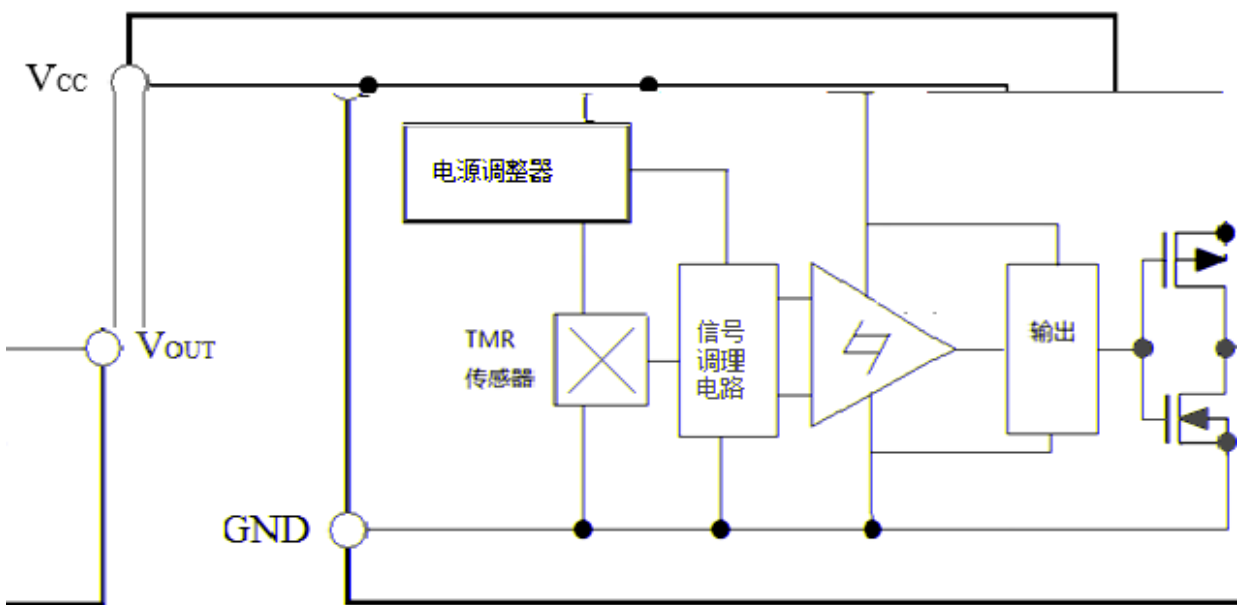
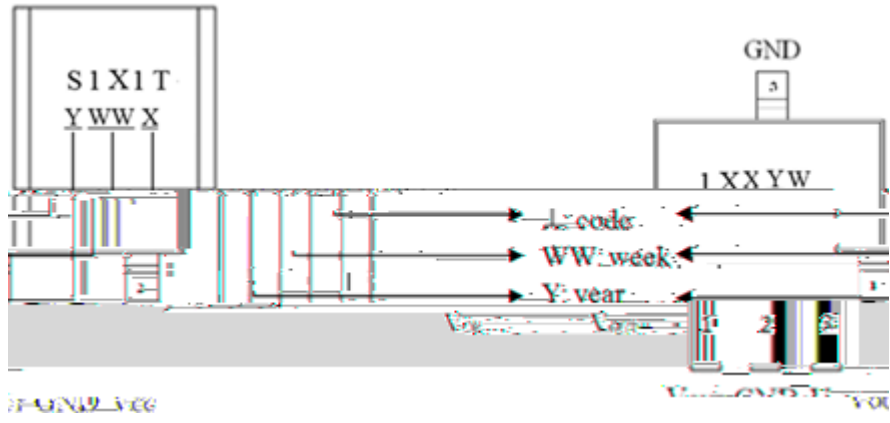


TMR

1.5 (TMR)
1kHz

MRS101 TMR CMOS
CMOS TMR MRS101 TMR CMOS
MRS101 MRS101 1
MRS101 SOT23-3 TO-92S





	TO-92S	SOT23-3	
V _{OUT}	1	2	
GND	2	3	

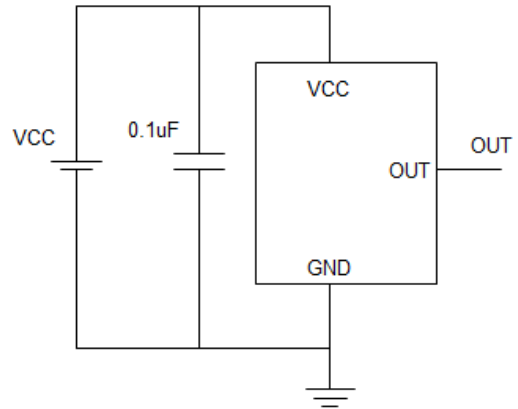
(V_{CC} = 3.0V, T_A = 25 °C)

RY

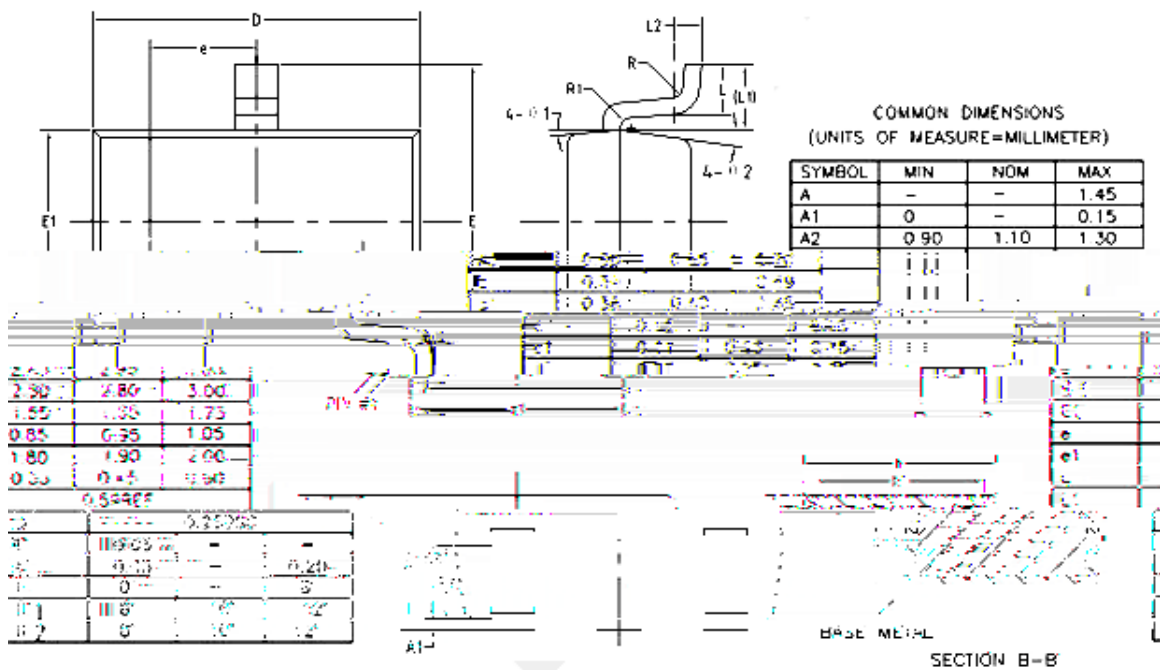
R

TMR
 B_{OP} MRS101
 TMR
 B_{RP} MRS101
 B_H

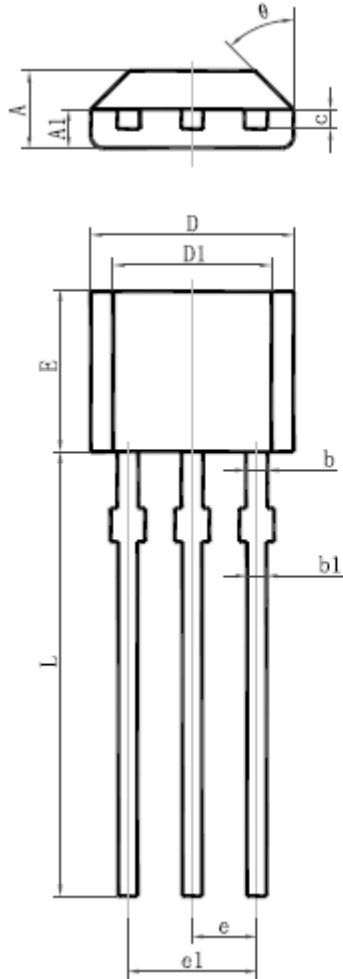
0.1 μF



SOT23-3

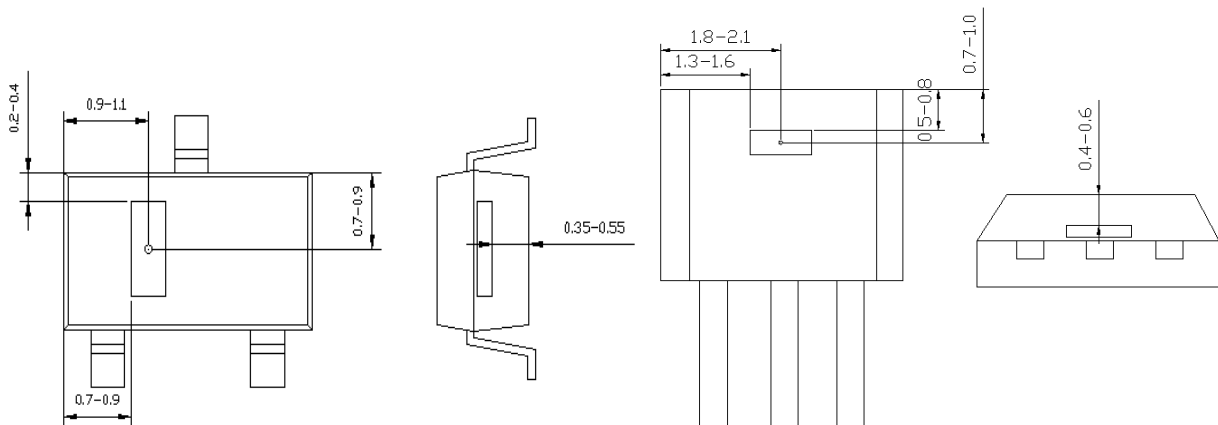


TO-92S



Symbol	Dimensions In Millimeters	
	Min	Max
A	1.420	1.620
A1	0.660	0.860
b	0.420	0.550
b1	0.360	0.480
c	0.360	0.510
D	3.900	4.100
D1	2.970	3.270
E	3.050	3.250
e	1.270 TYP	
e1	2.440	2.640
L	15.100	15.500
θ	45° TYP	

TMR



RoHS
COMPLIANT